

Read all instructions before proceeding.

Standard installation is for outswing doors (See Fig. 1). Any build out or trimming required to get the proper opening width should be performed on the latch side as the hinge side is weight bearing. Use appropriate shims (not included) to keep the hinge and latch sides plumb and square.

Please note that in-swing doors mount on the inside of the room and follow the same directions doors. See Fig. 1.



Figure 1



INSTRUCTIONS

1. Install threshold (optional).
 - a. All doors ship with a threshold.
 - b. Cut to fit width of rough opening as needed.
 - c. Install threshold to the floor. Keep in mind that the threshold centers under the jamb rails.
2. Measure the jamb door opening heights at each side (from the top of the threshold if you are using it). Trim the length of each side rail (from the bottom) with a hacksaw or chop saw to the opening size less 1/8" (to allow header to slip in above). See Fig. 2.
 - a. Pay attention to the rough opening header to make sure it is level. If it is out of level, adjust your side rail cuts accordingly so the door header will be level when it is installed.

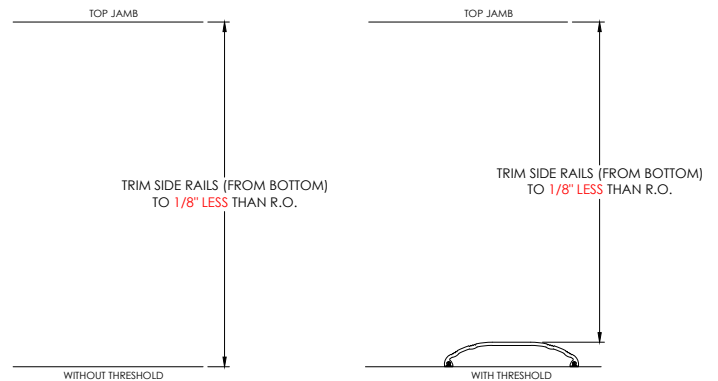


Figure 2

INSTALLATION OF FRAME

The door comes pre-hinged and with pre-punched screw holes for installation.

3. Remove the sashes from the door to make it easier to handle.
4. Set the hinge rail on the floor (on top of threshold if using it) and tight to the jamb. Making sure you have left at 1/8" gap at the top for the header to slip in. See Fig. 3.
5. Install hinge rail (with the door leaf attached) using #6 x 1" color matched screws (provided). Screw through pre-punched holes in facing of rail into jamb. As attachment proceeds, ensure that the hinge rail and door are plumb in the opening. See Fig. 3.

HINGE RAIL ATTACHMENT TOP DOWN VIEW

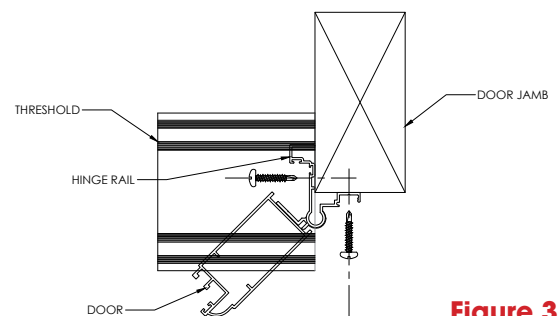


Figure 3

6. Install frame header next. Set header at top of opening. Be certain to push header tight to hinge rail. Close door and check for even clearance between top of door leaf and header (adequate clearance is approximately 3/32"). **Do not fasten in place until STEP 7 is complete. See Fig. 4.**
7. Attach latch side frame last. Be certain there is no gap between header and latch side. Check to see that door has adequate clearance at the jamb for latch rail (adequate clearance is approximately 3/32"). Screw through pre-punched holes in facing of rail into jamb with #6 x 1" color matched screws (provided). Install hinge rail (with the door leaf attached) using #6 x 1" color matched screws (provided).
8. Finish attaching the header by screwing through pre-punched holes in facing of rail into jamb with #6 x 1" color matched screws (provided). **See Fig. 5.**
9. After the frame is fastened around its perimeter and the fit is satisfactory, open the door. Screw one #6 x 1" color matched screw (provided) in pre-punched holes, as reinforcement behind each hinge. **See Fig. 3 (previous page).**
10. Slide the adjustable sill expander (sweep) on the bottom of the door with the attachment holes toward the inside. **See Fig. 6.**
11. Position the rubber flaps on the adjustable sill expander (sweep) so they meet and seal properly with the floor or threshold (if you are using it). **See Fig. 6.**
12. Drill 7/64" hole at the center of each elongated slot. Apply the #6 x 1/2" color matched screws (provided) to secure the expander (sweep). **See Fig. 6.**
13. Follow separate instructions packed with the door handle. Make sure you install the handle spacers to provide proper spacing between the handle and the door.
14. Follow separate instructions packed with the closer.

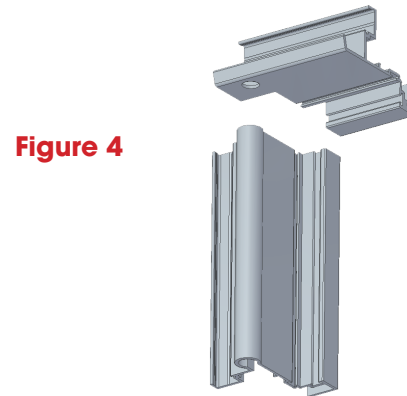


Figure 4

HEADER ATTACHMENT SIDE VIEW

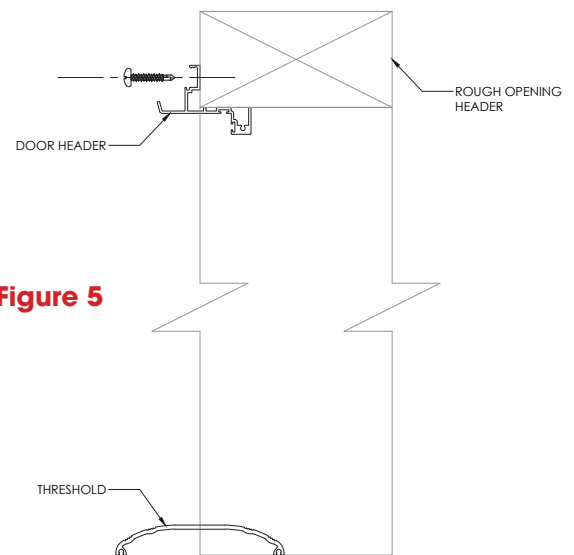


Figure 5

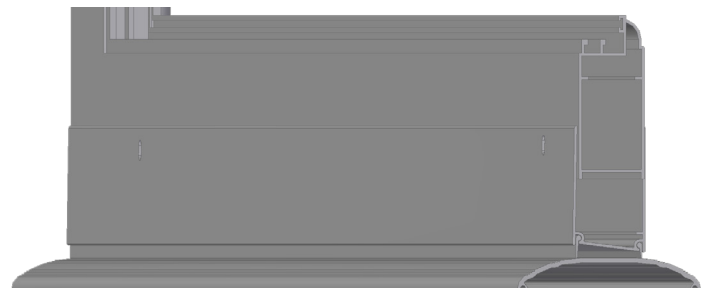


Figure 6

DOOR HANDLE SPACERS

ATTENTION: Use the 3-1/2" spindle that is provided with the door handle and the two spacers that are provided separately. See Fig.7. Not using these spacers will result in door handle resting too close to the door and operating poorly.

The "washers" show in Fig. 8 are not used in the installation of Porch Conversions doors or handles.

The proper installation will use the door handle, a spacer, the 3 1/2" spindle, another spacer, and the other door handle. See Fig. 9.

Figure 7



Figure 8



Figure 9

